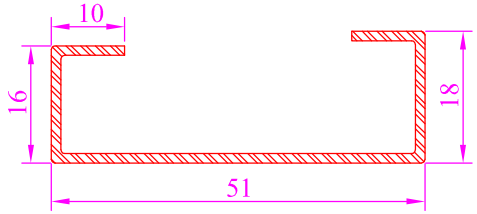
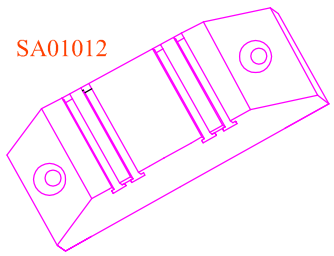
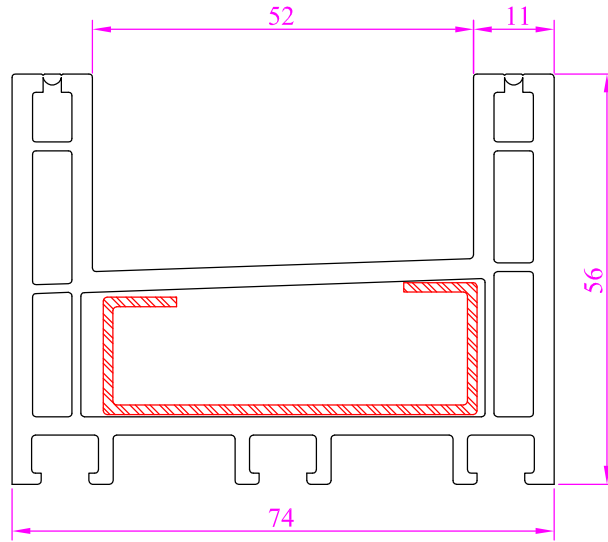


Technical Drawings

SLIDING FRAME PROFILE

7401

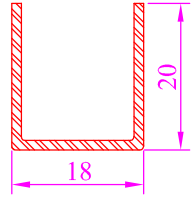
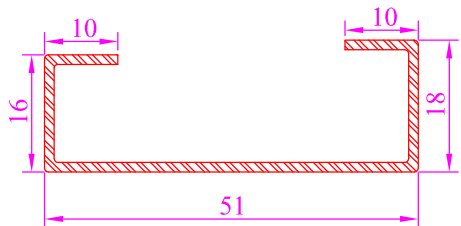
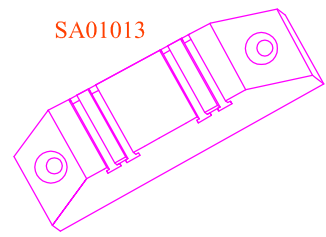
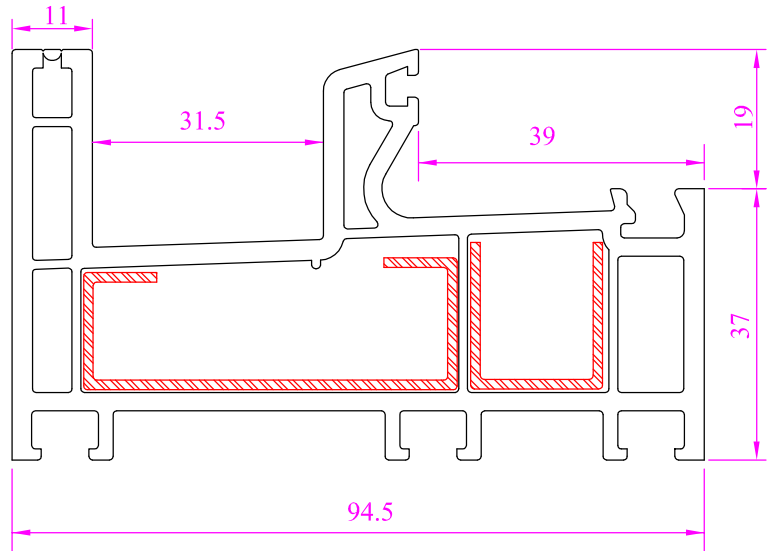
U - Reinforcement	Thickness	Weight-kg/m
steel DS 01014	1.25mm	0.914
	1.55mm	1.118
	2.05mm	1.444



SLIDING FIX FRAME PROFILE

7403

U - Reinforcement	Thickness	Weight-kg/m
steel DS 01014	1.25mm	0.914
	1.55mm	1.118
	2.05mm	1.444
U - Reinforcement	1.25mm	0.509
steel DS 01017	1.55mm	0.624
	2.05mm	0.795

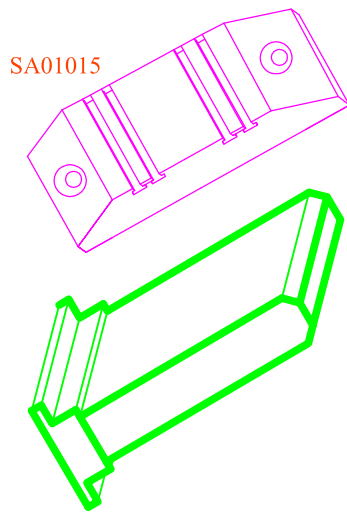


## 7400 SLIDING SYSTEM SERIES

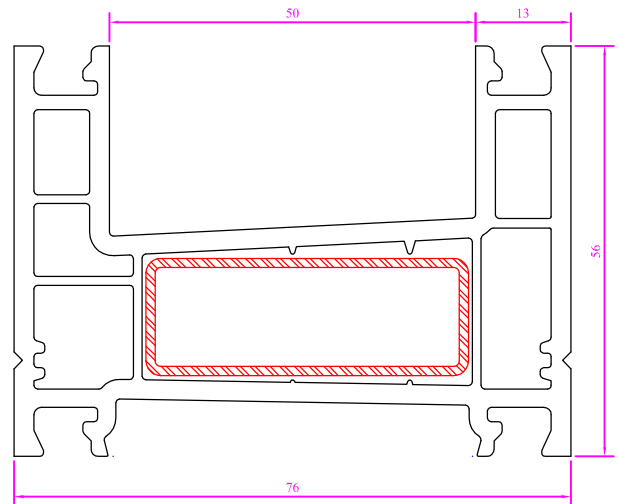
### NEW SLIDING FRAME AND MULLION

7406

U - Reinforcement steel	Thickness	Weight-kg/m
DS 01026	1.25mm	1.073
	1.55mm	1.264
	2.05mm	1.633



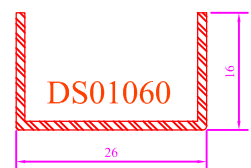
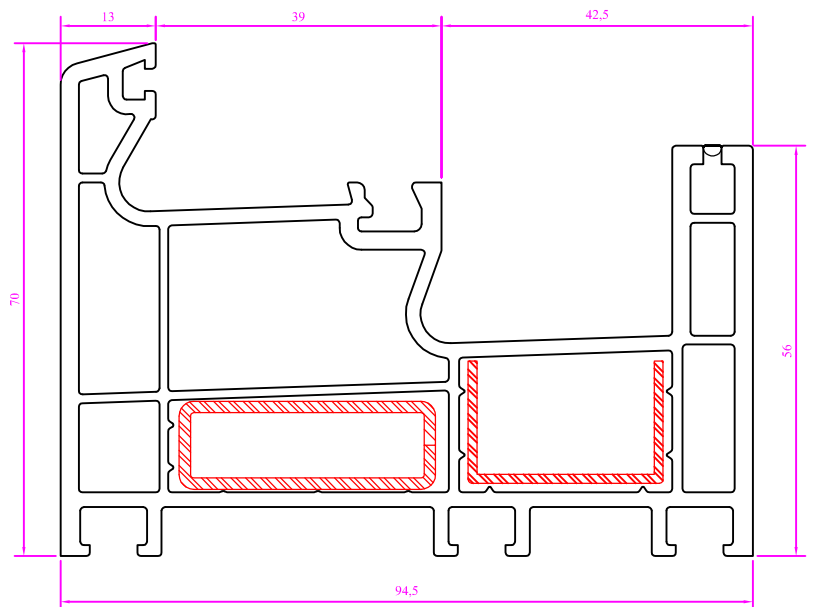
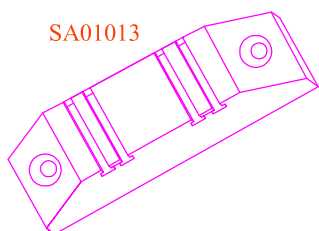
OB 01008 - inside  
OB 01009 - outside



### NEW SLIDING FIX FRAME PROFILE

7411

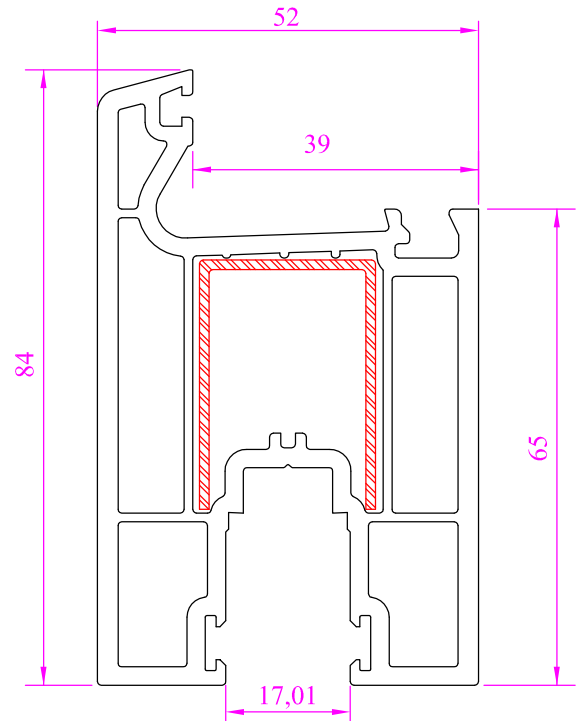
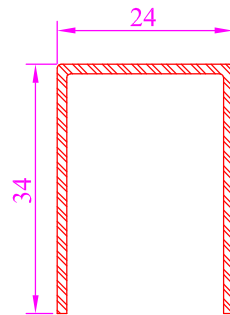
U - Reinforcement steel	Thickness	Weight-kg/m
DS 01046-K	1.25mm	0.845
	1.55mm	1.036
	2.05mm	1.345
DS 01060	1.25mm	0.523
	1.55mm	0.647
	2.05mm	0.847



SLIDING SASH PROFILE

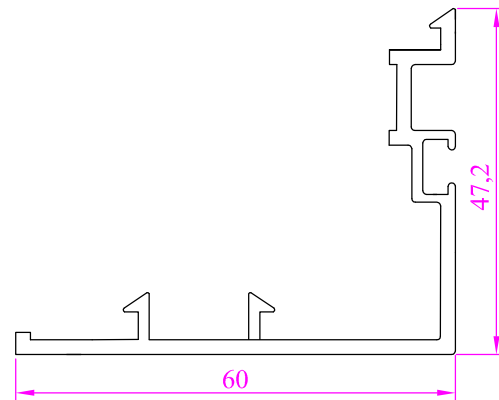
7402

U - Reinforcement	Thickness	Weight-kg/m
steel	1.25mm	0.835
DS 01015	1.55mm	1.029
	2.05mm	1.350



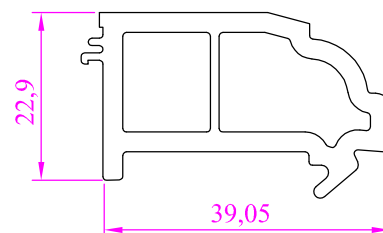
SLIDING INTERLOCK PROFILE

7404



SLIDING FIX FRAME COVER PROFILE

7405

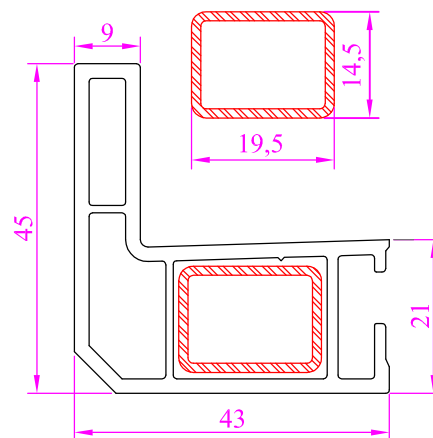


7400 SLIDING SYSTEM SERIES

SLIDING FLY SCREEN RAIL FRAME

7407

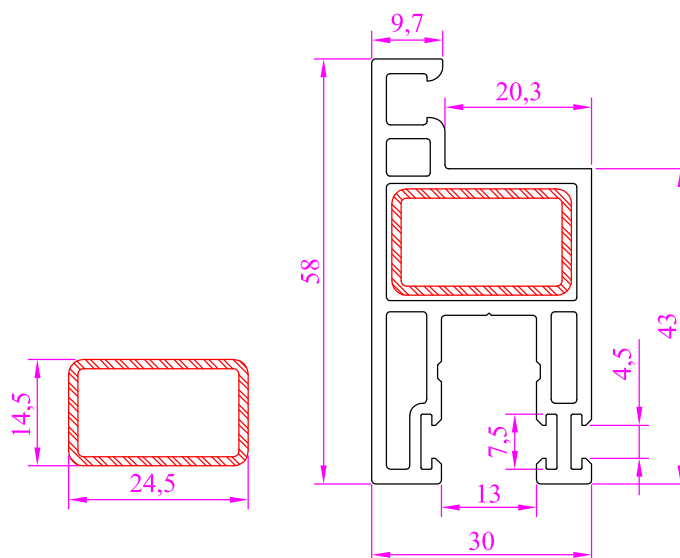
U - Reinforcement steel	Thickness	Weight-kg/m
DS 01027	1.25mm	0.566
	1.55mm	0.655
	2.05mm	0.811



SLIDING FLY SCREEN SASH PROFILE

7408

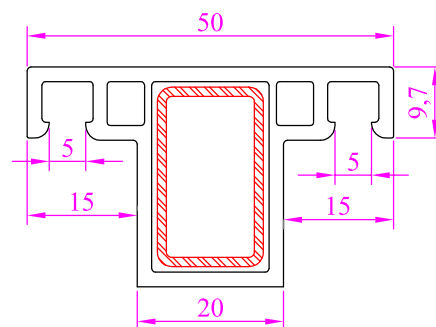
U - Reinforcement steel	Thickness	Weight-kg/m
DS 01028-K	1.25mm	0.663
	1.55mm	0.772
	2.05mm	0.967



SLIDING FLY SCREEN IN-SASH MULLION

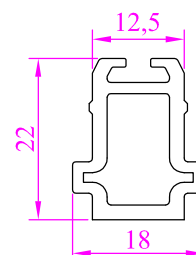
7409

U - Reinforcement steel	Thickness	Weight-kg/m
DS 01028-K	1.25mm	0.663
	1.55mm	0.772
	2.05mm	0.967



SLIDING FLY SCR. SASH FILL. PROFILE

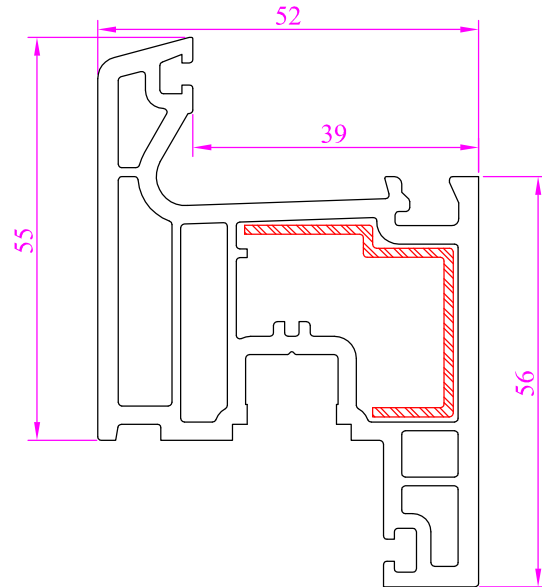
7410



SASH PROFILE

5202

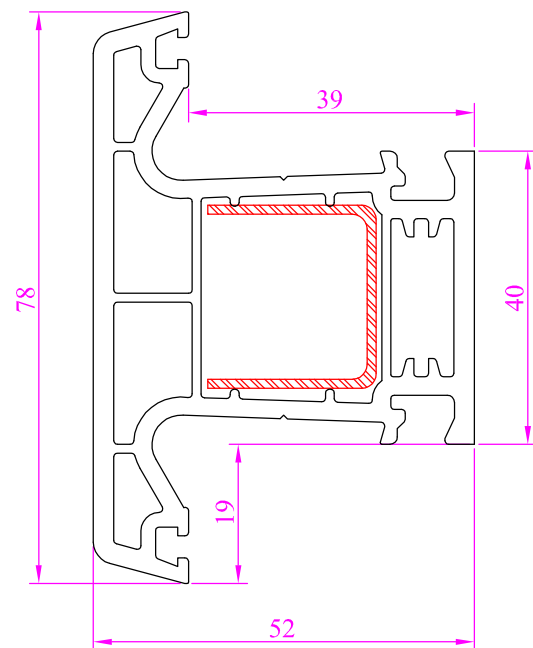
U - Reinforcement steel	Thickness	Weight-kg/m
DS 01012	1.25mm	0.546
	1.55mm	0.670
	2.05mm	0.832



MULLION PROFILE

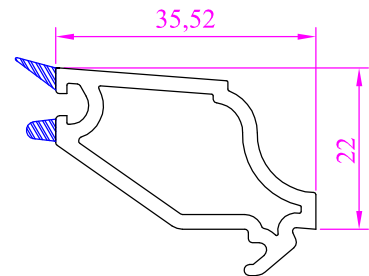
5203

U - Reinforcement steel	Thickness	Weight-kg/m
DS 01011	1.25mm	0.634
	1.55mm	0.778
	2.05mm	1.020
Box Reinforcement steel	1.25mm	
	1.55mm	1.024
	2.05mm	1.319



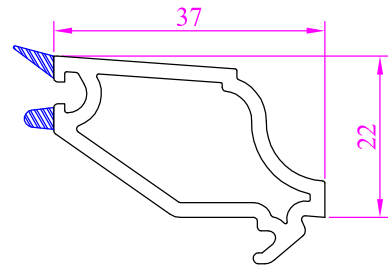
SINGLE GLAZING BEAD (6mm glass)

6009



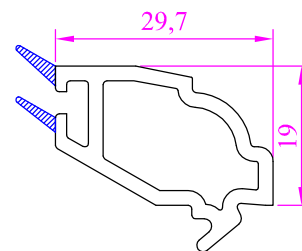
SINGLE GLAZING BEAD (4mm glass)

6230



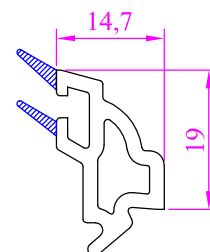
NEW SINGLE GLAZING BEAD 4mm

5211



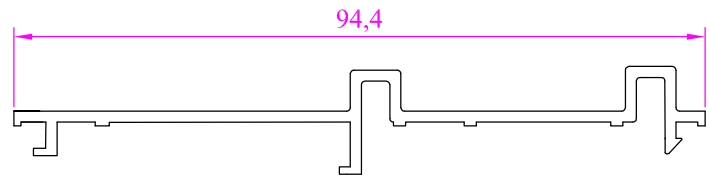
DOUBLE GLAZING BEAD 20mm

5206



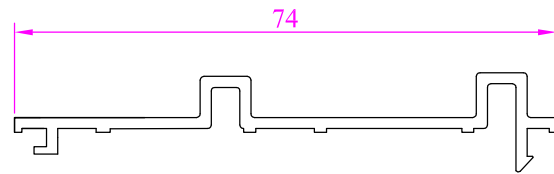
SLID. FIX FRAME & 5200 FRAME COUPL.

2485



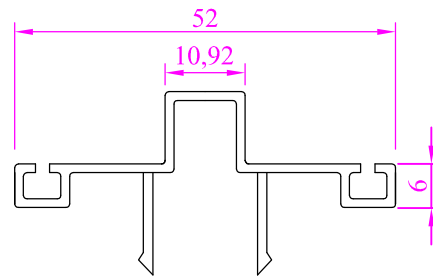
SLIDING FRAME & 5200 FRAME COUPL.

1986



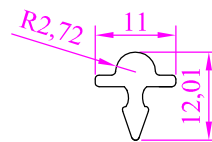
7402 SLID. SASH HEAD-TO-HEAD COUP. ALU.

1961



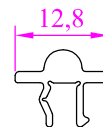
SLIDING RAIL PROFILE

3065



SLIDING FRAME RAIL PROFILE

4725



MULLION COUPLING ALU. 5200

1128

