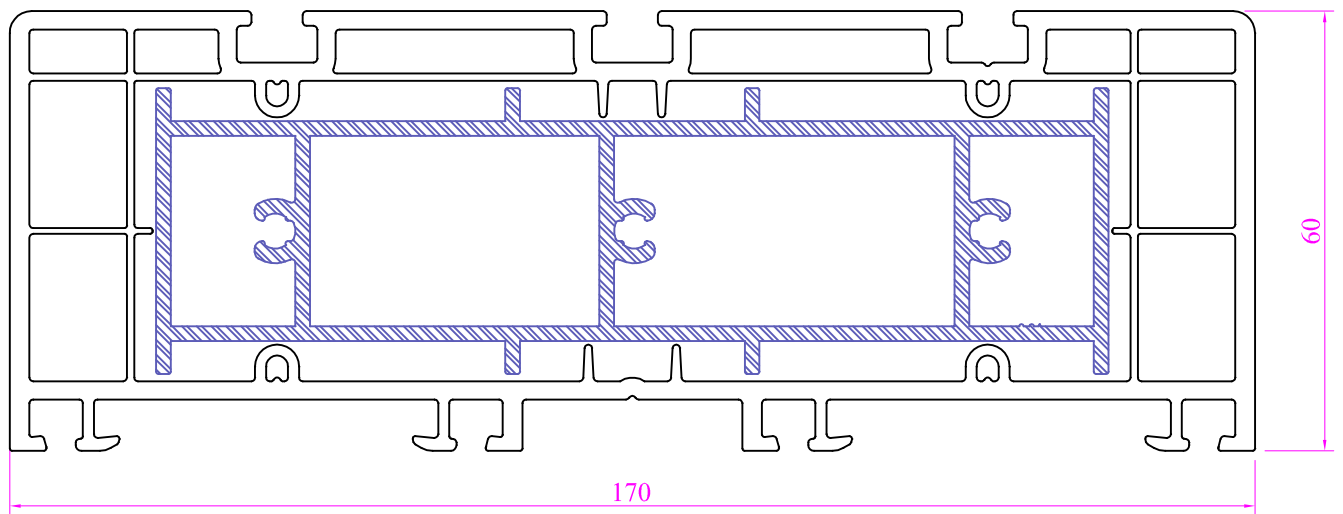


Technical Drawings

HEBE SCHIEBE FRAME PROFILE

1701

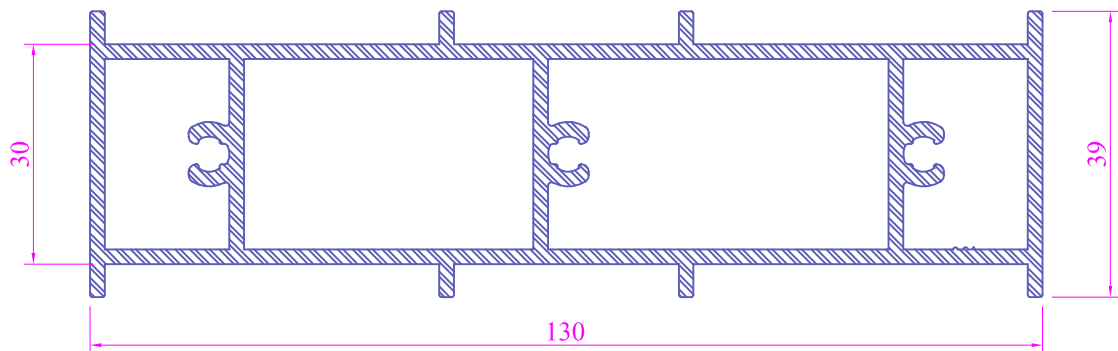
2.503 kg/m



ALUMINIUM SUPPORT PROFILE

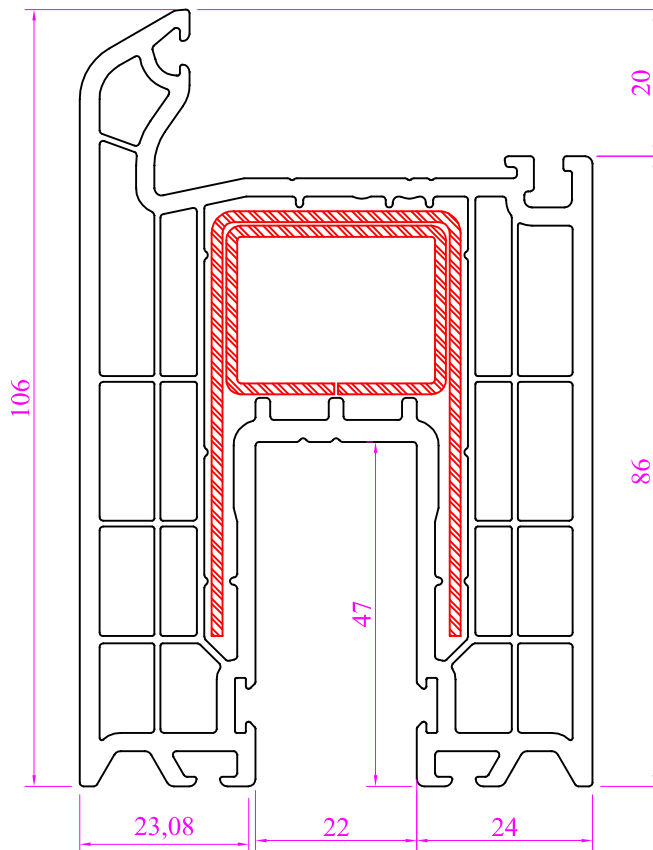
6767

2.513 kg/m



HEBE SCHIEBE SASH PROFILE

1702	2.294 kg / m
------	--------------

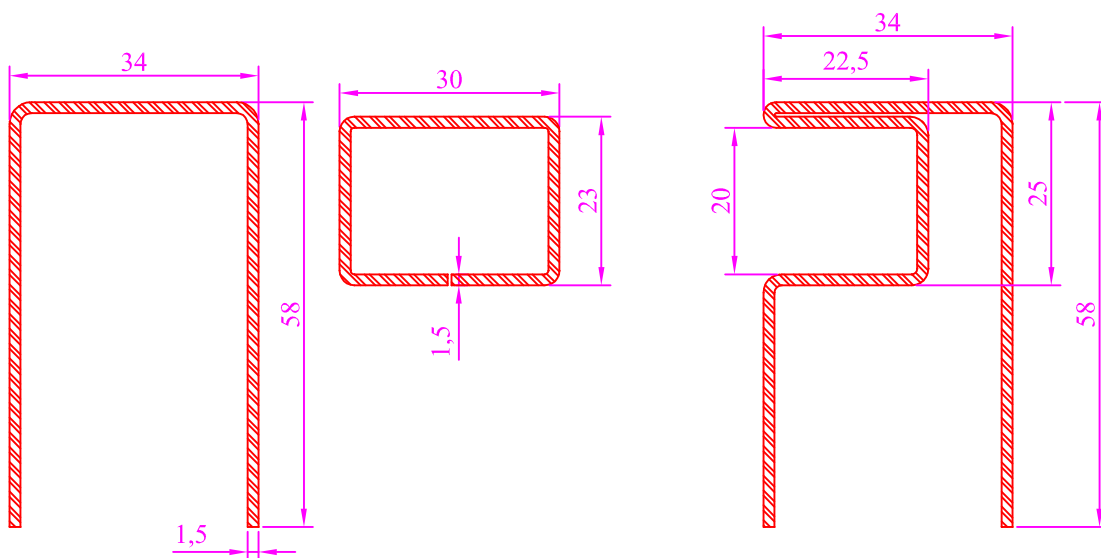


HEBE SCHIEBE REINFORCEMENT METAL

	Thickness	Weight - kg/m
U - Reinforcement metal DS 01055	1.25mm	
	1.55mm	1.708
	2.05mm	2.265
Box Reinforcement metal DS 01056-K	1.25mm	
	1.55mm	1.146
	2.05mm	1.458

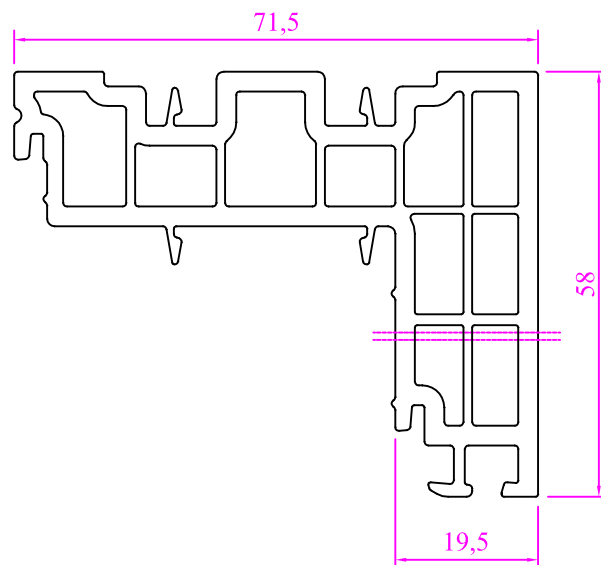
HEBE SCHIEBE SPECIAL REIN PROFILE

	Thickness	Weight - kg/m
Special Rein metal DS 01057	1.25mm	
	1.55mm	2.179
	2.05mm	2.875



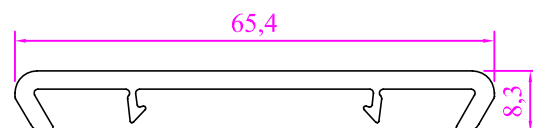
INSIDE SILL COVER PROFILE

1703 1.280 kg / m



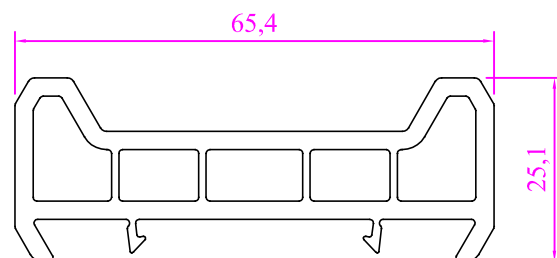
SASH BROW COVER PROFILE

1704 0.295 kg / m



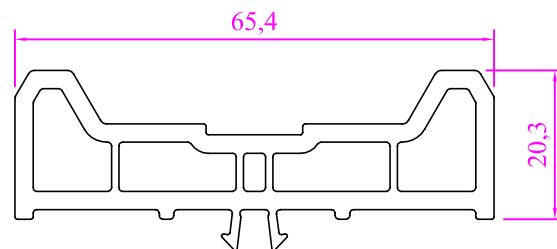
SASH BROW CONNECTION PROFILE

1705 0.704 kg / m



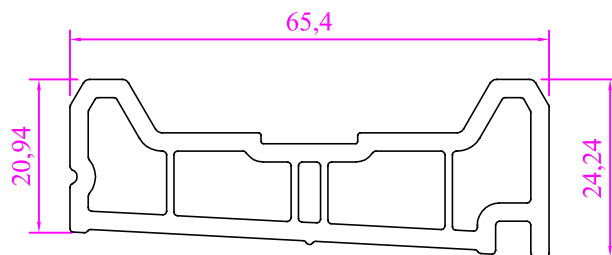
FIXS SASH BELLOW AND SIDE CONNECTION PRF.

1706 0.676 kg / m



FIXS SASH BELLOW CONNECTION PROFILE

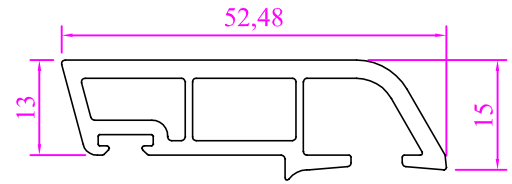
1707 0.698 kg / m



OUTSIDE ABOVE SASH COVER PROFILE

1708

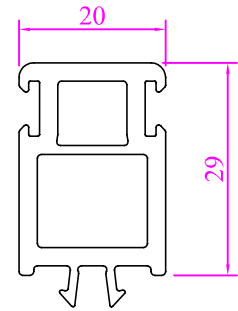
0.398 kg / m



ABOVE AND SIDE MIDDLE RAIL PROFILE

1709

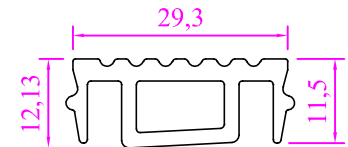
0.382 kg / m



SILL AND RAIL SPACE CONNECTION PRF.

1710

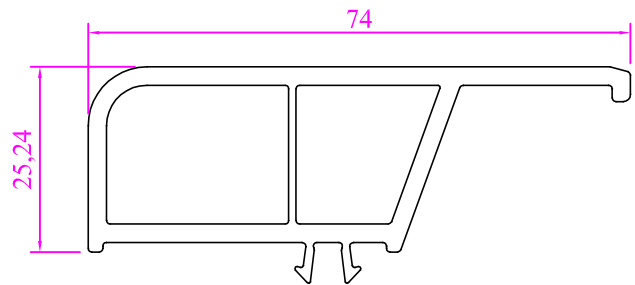
0.240 kg / m



FRAME COVER PROFILE

1711

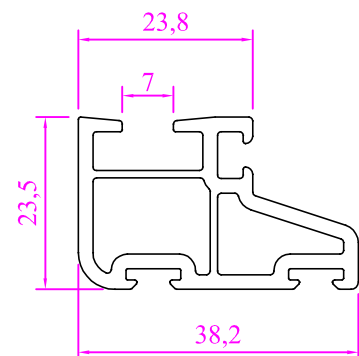
0.620 kg / m



INTERLOCK PROFILE

1712

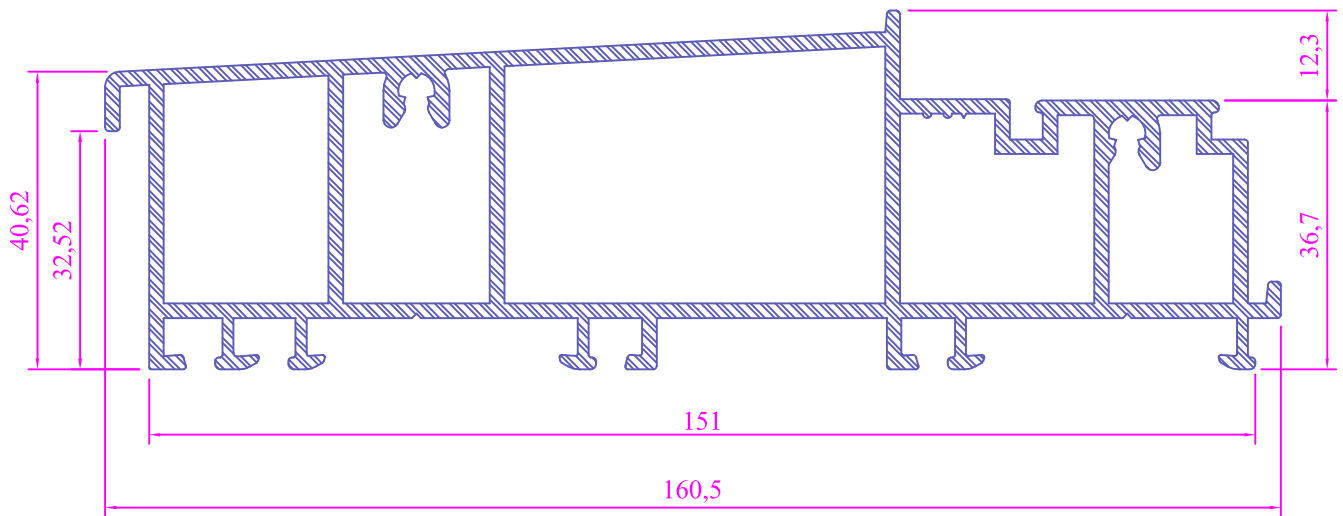
0.378 kg / m



BELLOW FRAME ALUMINIUM PROFILE

6695

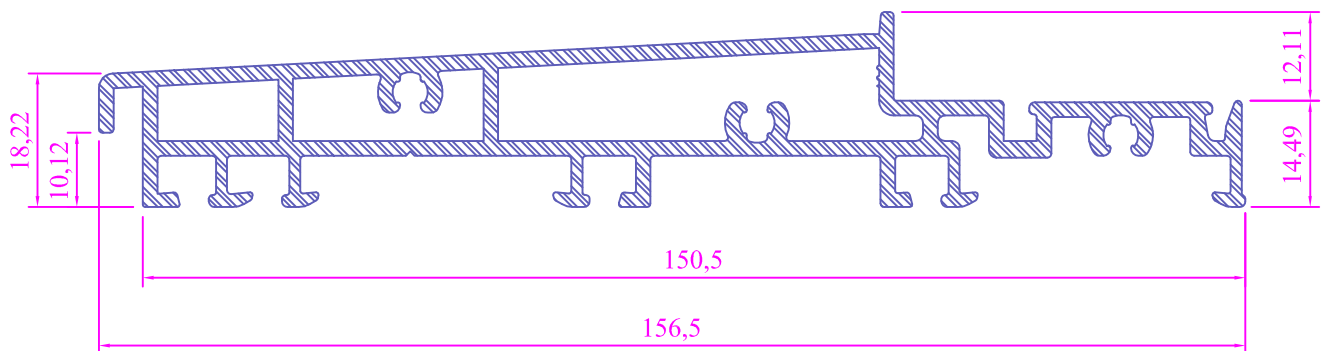
3.317 kg / m



BELLOW NARROW ALUMINIUM PROFILE

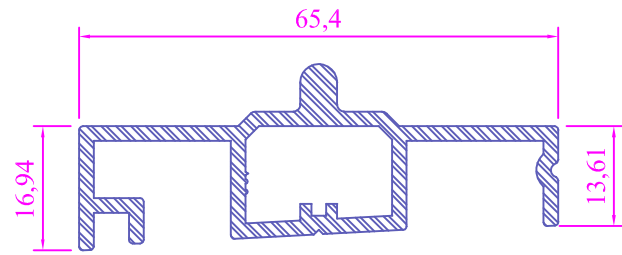
6774

2.393 kg / m



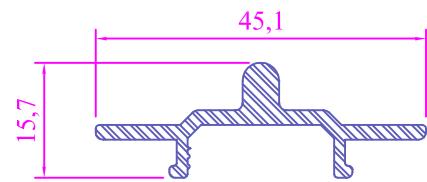
OUTSIDE ALUMINIUM RAIL

6696 0.918 kg / m



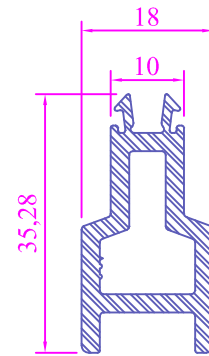
INSIDE ALUMINIUM RAIL

6697 0.385 kg / m



ALUMINIUM ABOVE RAIL

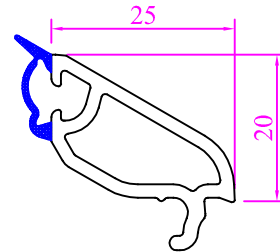
6698 0.608 kg / m



DOUBLE GLAZING BEAD 24mm"

7062

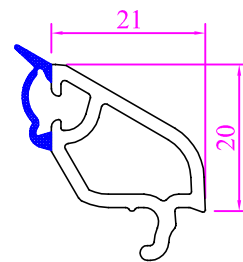
0.235 kg / m



DOUBLE GLAZING BEAD 28mm

7064

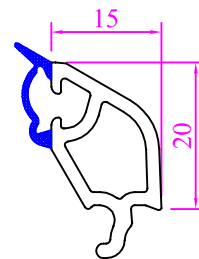
0.221 kg / m



TRIPLE GLAZING BEAD 34mm

7063

0.195 kg / m



TRIPLE GLAZING BEAD 40mm

7464

0.175 kg / m

